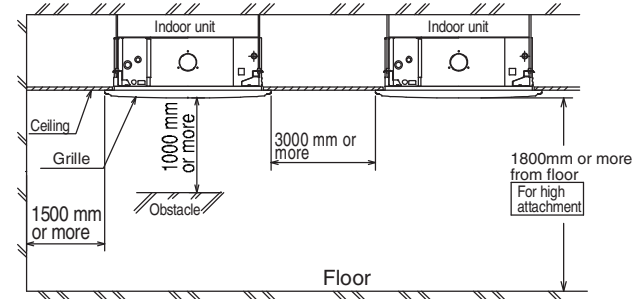
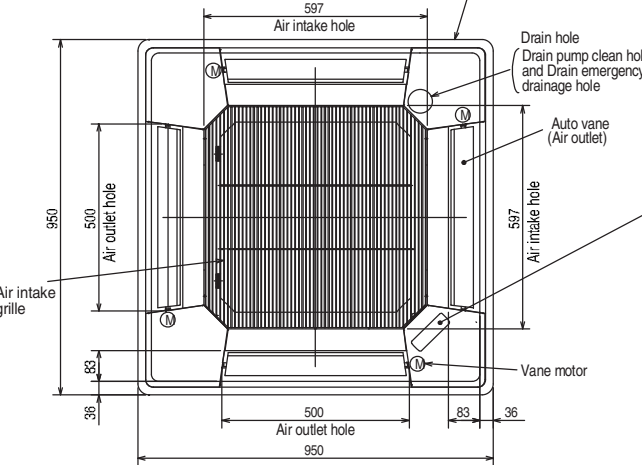
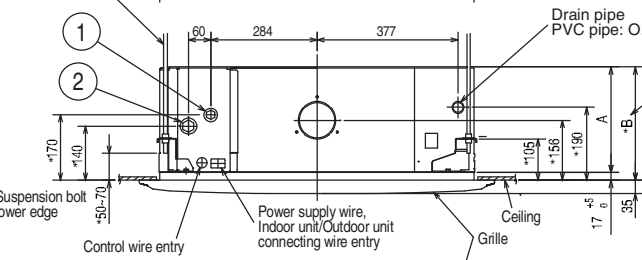
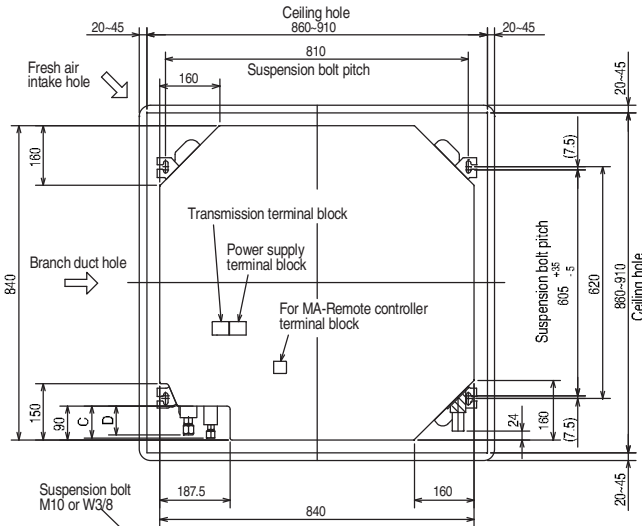
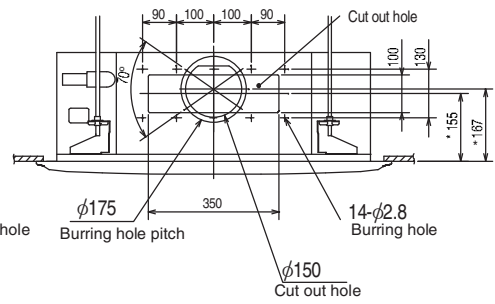


PLFY-P32,40,50,63,80,100,125VBM-E

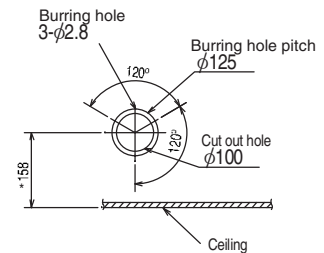
Unit : mm



Detail connecting of Branch duct(Both aspects)



Detail drawing of fresh air intake hole



Drain pipe PVC pipe: O.D. 32 (1-1/4") (Connected the attached flexible pipe or socket.) I.D. 32 (1-1/4")
Keep approximately 10 to 15 mm space between unit ceiling and ceiling slab.

In case of standard grille : PLP-6BA

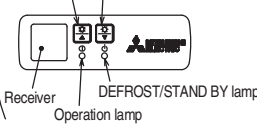


In case of Auto-Grille : PLP-6BAJ

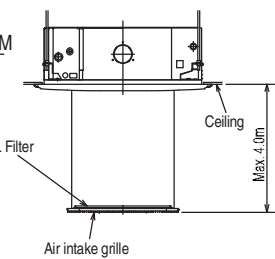
In case of wireless remote controller : PLP-6BALM

Emergency operation switch<Cooling> and Emergency Up/Down switch<Up>

Emergency operation switch<Heating>and Emergency Up/Down switch<Down>



Auto-Grille Air intake grille Up/down distance



- Note 1. Please choose the Grille from a standard grille, Auto-Grille.
2. As for drain pipe, please use VP-25(O.D. φ32 PVC TUBE). Drain pump inclusion. Raise is max 850mm from the ceiling.
3. As for suspension bolt, please use M10 or W3/8. (Procured at local site)
4. Electrical box may be removed for the service purpose. Make sure to slack the electrical wire little bit for control/power wires connection.
5. The height of the indoor unit is able to be adjusted with the grille attached.
6. For the installation of the optional high efficiency filter or optional multi-functional casement.
1) Requires E or more space between transom and ceiling for the installation.
2) Add 135 mm to the dimensions * marked on the figure.
3) The optional high efficiency filter becomes optional multi-functional casement and concomitant use.
7. When installing the branch ducts, be sure to insulate adequately. Otherwise condensation and dripping may occur. (It becomes the cause of dew drops/Wear dew.)
8. As for necessary installation/service space, please refer to the left at figure.

Accessory ... Drain socket (I.D. 32 (1-1/4"))

Models	①	②	A	B	C	D	E
PLFY-P32,40VBM-E	Refrigerant pipe--φ 6.35 Flared connection--1/4F	Refrigerant pipe --φ12.7 Flared connection--1/2F			80	74	
PLFY-P50VBM-E	Refrigerant pipe φ6.35 /φ9.52 Flared connection 1/4F / 3/8F (compatible)	Refrigerant pipe φ12.7 Flared connection 1/2F	241	258	87	78	400
PLFY-P63,80VBM-E	Refrigerant pipe--3/8F Flared connection--φ9.52	Refrigerant pipe--φ15.88 Flared connection--5/8F				77	
PLFY-P100,125VBM-E		Refrigerant pipe φ15.88 Flared connection 5/8F	281	298	85	81	440