

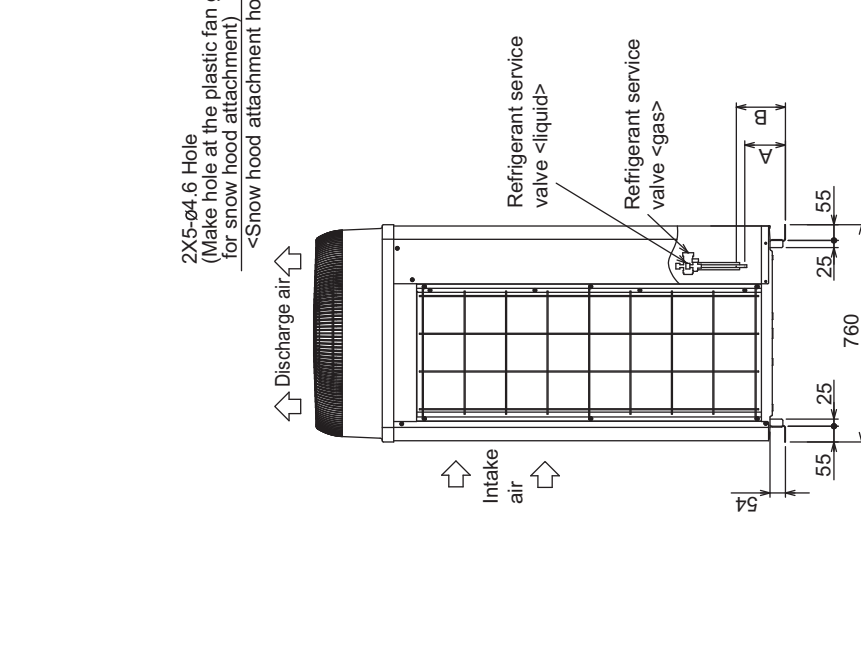
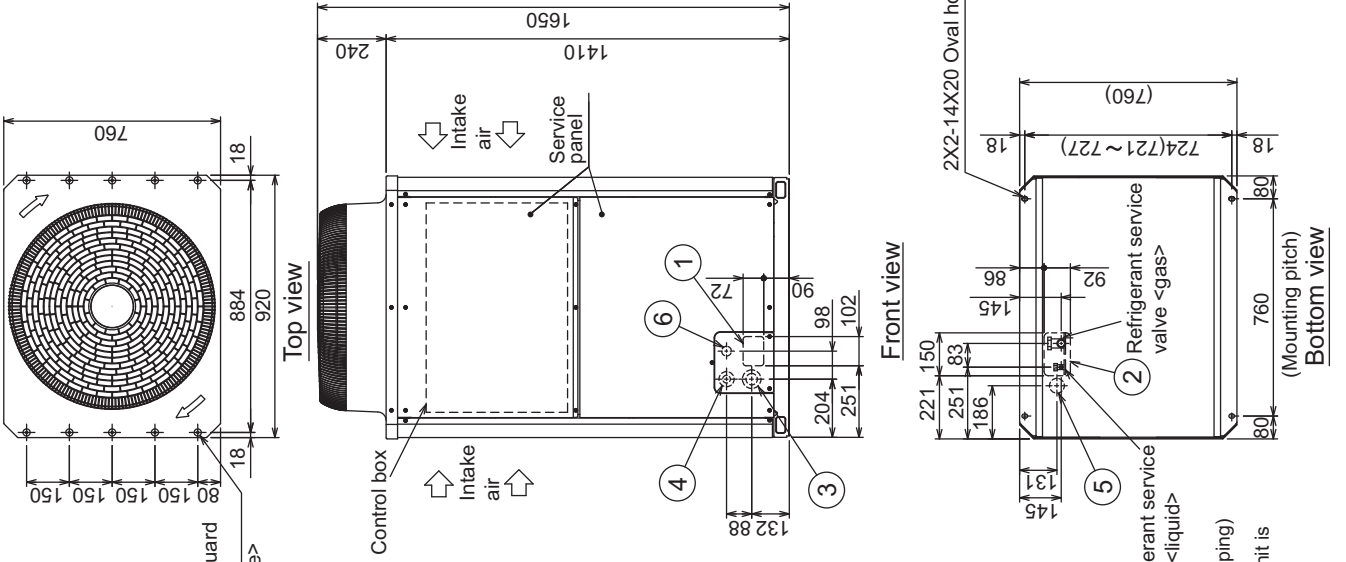
PUHY-P200,250,300YHA(-BS)

Unit : mm

- <Accessories>
 ● Connecting pipe
 <Gas>
 • Elbow (ID19.05XOD19.05)...P200 1pc.
 • Elbow (ID25.4XOD25.4)...P250,P300 1pc.
 • Pipe (ID25.4XOD22.2)...P250,P300 1pc.
 <Liquid>
 • Pipe (ID9.52XOD9.52)...P200,P250 1pc.
 • Pipe (ID9.52XOD12.7)...P250 1pc.
 • Pipe (ID12.7XOD12.7)...P300 1pc.
 • Pipe (ID12.7XOD9.52)...P300 1pc.

Note 1. Please refer to the next page for information regarding necessary spacing around the unit and foundation work.
 2. At brazing of pipes, wrap the refrigerant service valve with wet cloth and keep the temperature of refrigerant service valve under 120°C.

NO.	Usage	Specifications
①	Front through hole	102X72 Knockout hole
②	Bottom through hole	150X92 Knockout hole
③	Front through hole	ø65 or ø40 Knockout hole
④	Front through hole	ø52 or ø27 Knockout hole
⑤	Bottom through hole	ø52 Knockout hole
⑥	Front through hole	ø34 Knockout hole



Model	Position dimensions for the refrigerant service valve*1		Connection specifications for the refrigerant service valve*1	
	Liquid	Gas	Liquid	Gas
PUHY-P200YHA(-BS)	142	170	ø9.52 Braze	ø19.05 Braze
PUHY-P250YHA(-BS)	143	172	ø9.52 Braze	ø22.2 Braze
			(ø12.7 Braze)*3	
PUHY-P300YHA(-BS)	143	172	ø9.52 Braze (ø12.7 Braze)*4	ø22.2 Braze

*1 Connect by using the connecting pipes (for bottom piping and front piping) that are supplied.
 *2 Indicates dimensions and connection specifications in the case the unit is used in combination with other outdoor units.
 *3 Total length >=90mm
 *4 Total length >=40mm

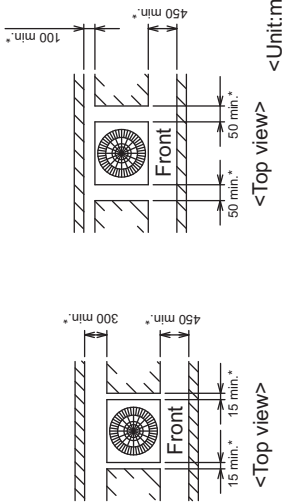
PUHY-P200,250,300YHA(-BS)

Unit : mm

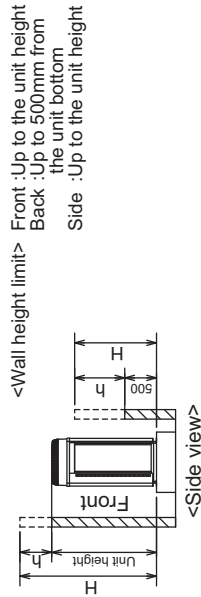
1. Required space around the unit

In case of single installation

- ① Secure enough space around the unit as shown in the figure below.
- With a space of at least 300mm to the wall on the back of the unit



- ② When the height of the walls on the front, back or on the sides <H> exceeds the wall height limit as defined below add the height that exceeds the height limit <h> to the figures that are marked with an asterisk.



2. Foundation work

- ① Take into consideration the surface strength, water drainage route, piping route, and wiring route when preparing the installation site.
- ② Note that the drain water comes out of the unit during operation > securely supported as shown in the right figure.(Fig.A)
- ③ When using a rubber isolating cushion, please ensure it is large enough to cover the entire width of each of the unit's legs.
- ④ The protrusion length of the anchor bolt must not exceed 30mm.(Fig.A)
- ⑤ Use four fixing plates as shown in the right figure <field supply required> when using post-installed anchor bolts.(Fig.B)
- ⑥ To prevent small animals and water and snow from entering the unit and damaging its parts, close the gap around the edges of through holes for pipes and wires with filler plates <field supply required>.
- ⑦ When the pipes or cables are routed at the bottom of the unit, make sure that the through hole at the base of the unit does not get blocked with the installation base.
- ⑧ Refer to the Installation Manual when installing units on an installation base.

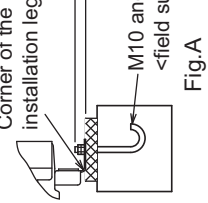


Fig.A

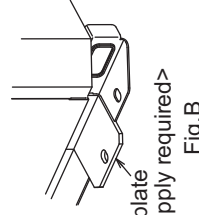
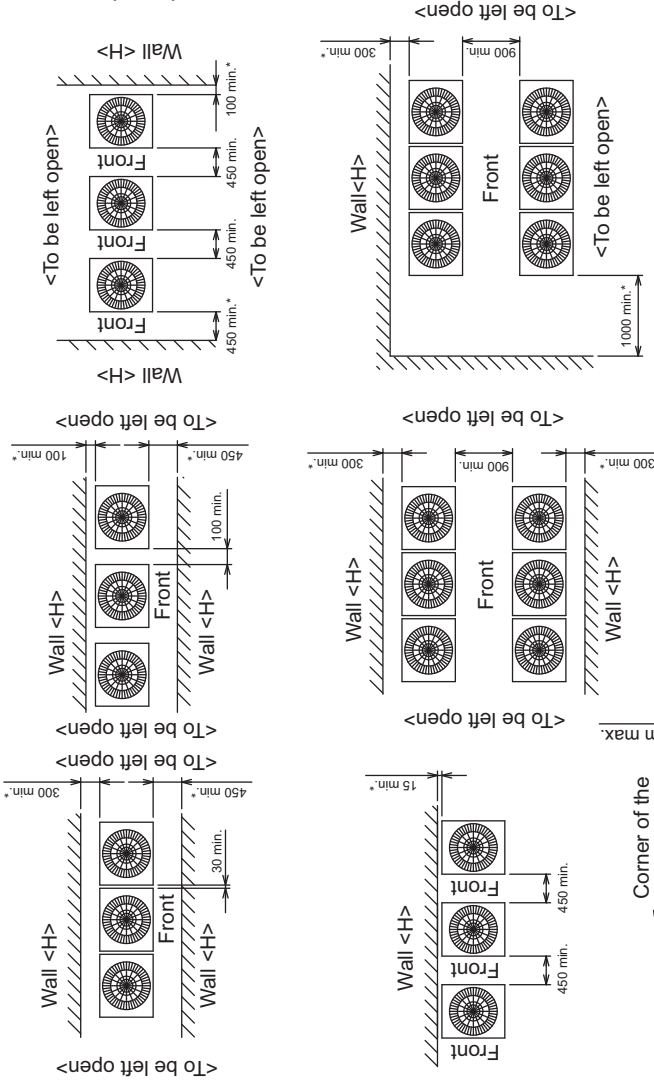


Fig.B

In case of collective installation

- ① When multiple units are installed adjacent to each other, secure enough space to allow for air circulation and walkway between groups of units as shown in the figures below.
- ② At least two sides must be left open.
- ③ As with the single installation, add the height that exceeds the height limit <h> to the figures that are marked with an asterisk.
- ④ If there is a wall at both the front and the rear of the unit, install up to six units consecutively in the side direction and provide a space of 1000mm or more as inlet space/ passage space for each six units.

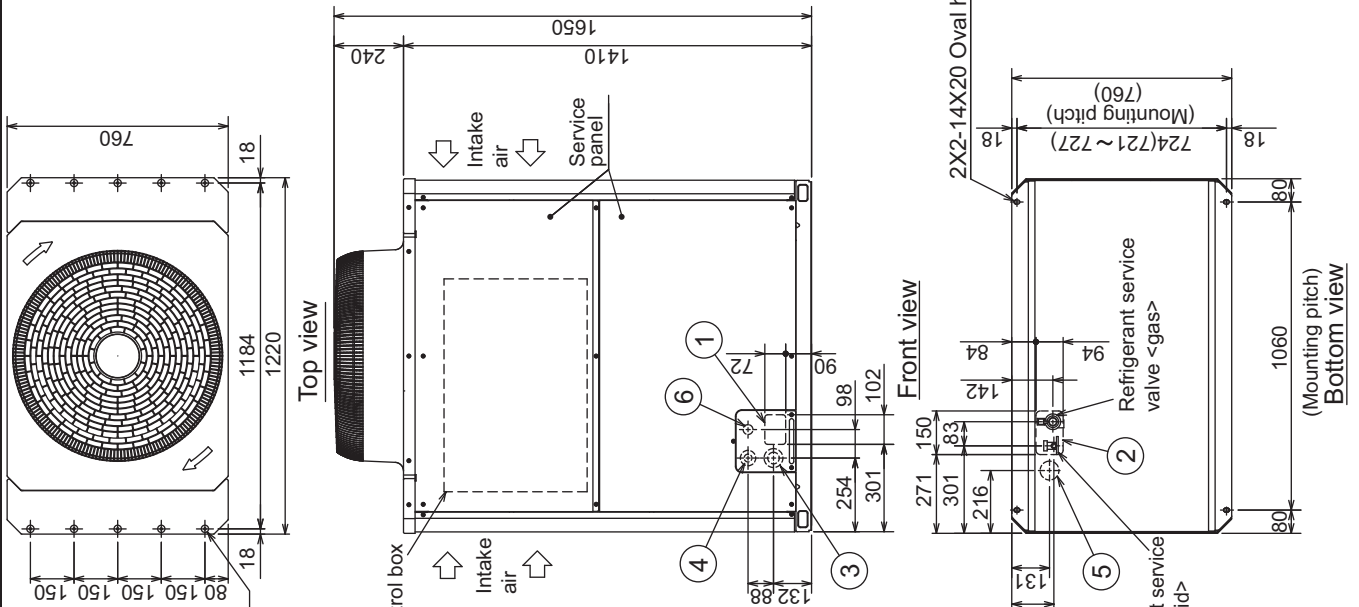


PUHY-P350,400,450YHA(-BS)

Unit : mm

- <Accessories>
 ● Connecting pipe
 <Gas> •Elbow (ID28.6XOD28.6)...P350,P400,P450 1pc.
 <Liquid> •Pipe (ID15.88XOD15.88)...P350,P400,P450 1pc.
 •Pipe (ID15.88XOD12.7)...P350,P400 1pc.
- Note 1. Please refer to the next page for information regarding necessary spacing around the unit and foundation work.
 2. At brazing of pipes, wrap the refrigerant service valve with wet cloth and keep the temperature of refrigerant service valve under 120°C.

NO.	Usage	Specifications
①	Front through hole	102X72 Knockout hole
②	Bottom through hole	150X94 Knockout hole
③	Front through hole	ø65 or ø40 Knockout hole
④	Front through hole	ø52 or ø27 Knockout hole
⑤	Bottom through hole	ø65 Knockout hole
⑥	Front through hole	ø34 Knockout hole



Model	Position dimensions for the refrigerant service valve		Connection specifications for the refrigerant service valve*1	
	Liquid	Gas	Liquid	Gas
PUHY-P350YHA(-BS)	A	B	ø12.7 Brazed	
PUHY-P400YHA(-BS)	158	172	ø12.7 Brazed	ø28.58 Brazed
			(ø15.88 Brazed)*2	
PUHY-P450YHA(-BS)			ø15.88 Brazed	

*1 Connect by using the connecting pipes (for bottom piping and front piping) that are supplied.
 *2 Indicates dimensions and connection specifications in the case the unit is used in combination with other outdoor units.

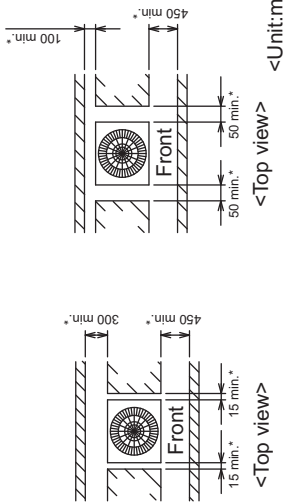
PUHY-P350,400,450YHA(-BS)

Unit : mm

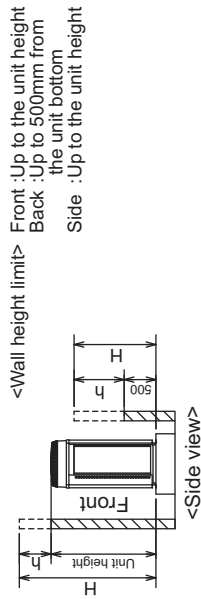
1. Required space around the unit

● In case of single installation

- ① Secure enough space around the unit as shown in the figure below.
- With a space of at least 300mm to the wall on the back of the unit



- ② When the height of the walls on the front, back or on the sides<H> exceeds the wall height limit as defined below add the height that exceeds the height limit <h> to the figures that are marked with an asterisk.



<Wall height limit>
 Front : Up to the unit height
 Back : Up to 500mm from the unit bottom
 Side : Up to the unit height

2. Foundation work

- ① Take into consideration the surface strength, water drainage route, piping route, and wiring route when preparing the installation site.
 <Note that the drain water comes out of the unit during operation.>
- ② Build the foundation in such way that the corner of the installation leg is securely supported as shown in the right figure.(Fig.A)
 When using a rubber isolating cushion, please ensure it is large enough to cover the entire width of each of the unit's legs.
- ③ The protrusion length of the anchor bolt must not exceed 30mm.(Fig.A)
- ④ Use four fixing plates as shown in the right figure <field supply required> when using post-installed anchor bolts.(Fig.B)
- ⑤ To prevent small animals and water and snow from entering the unit and damaging its parts, close the gap around the edges of through holes for pipes and wires with filler plates <field supply required>.
- ⑥ When the pipes or cables are routed at the bottom of the unit, make sure that the through hole at the base of the unit does not get blocked with the installation base.
- ⑦ Refer to the Installation Manual when installing units on an installation base.

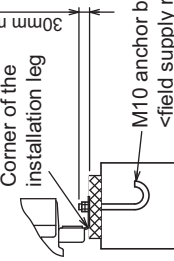


Fig.A

<field supply required>

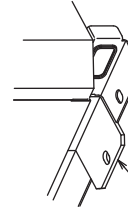
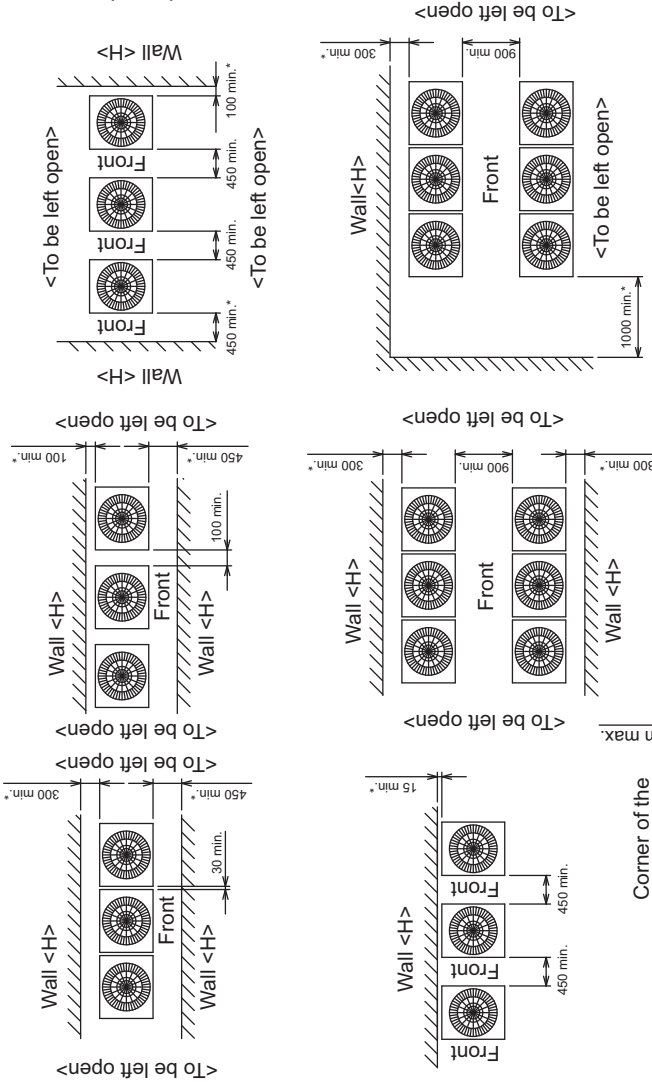


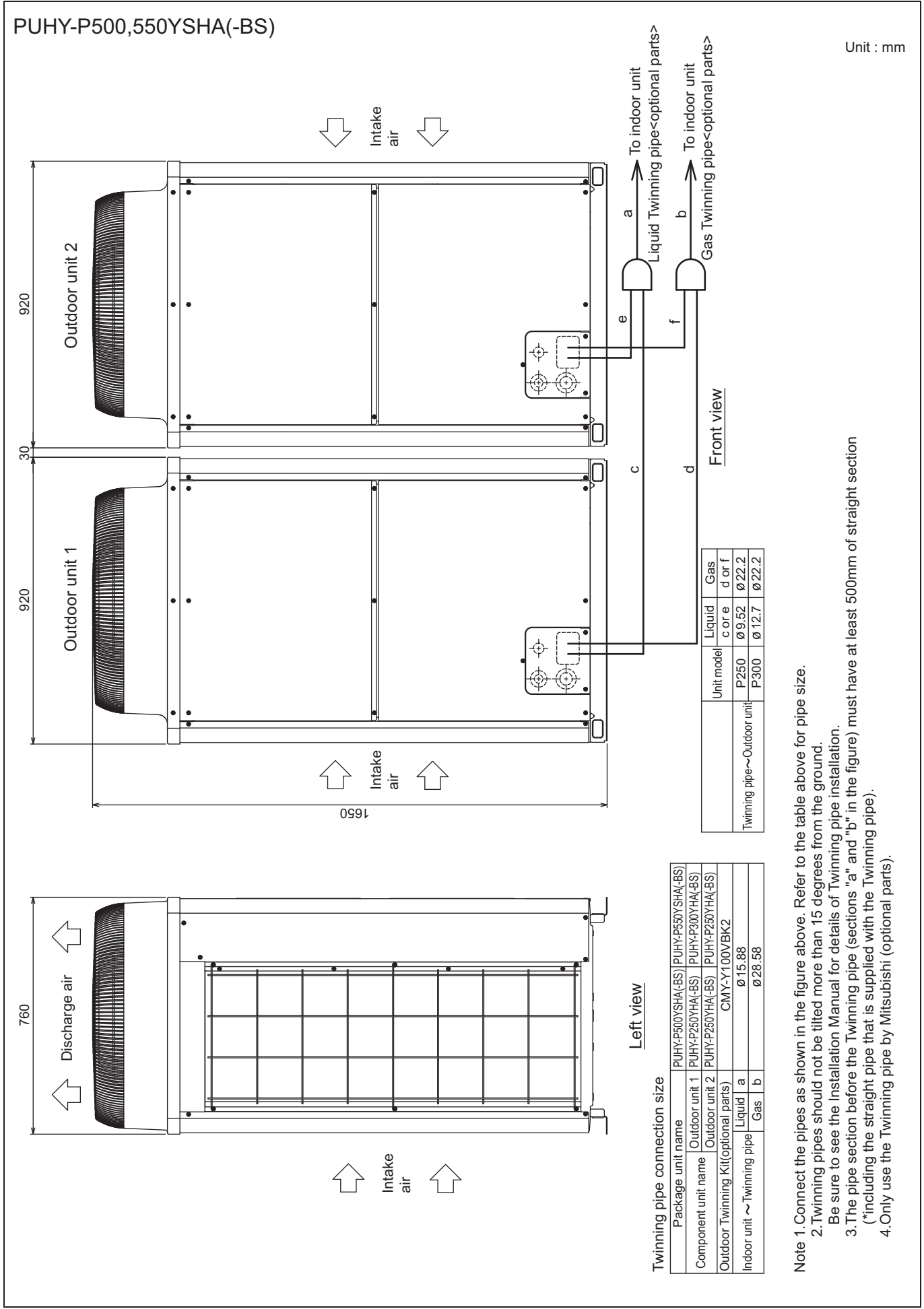
Fig.B

<field supply required>

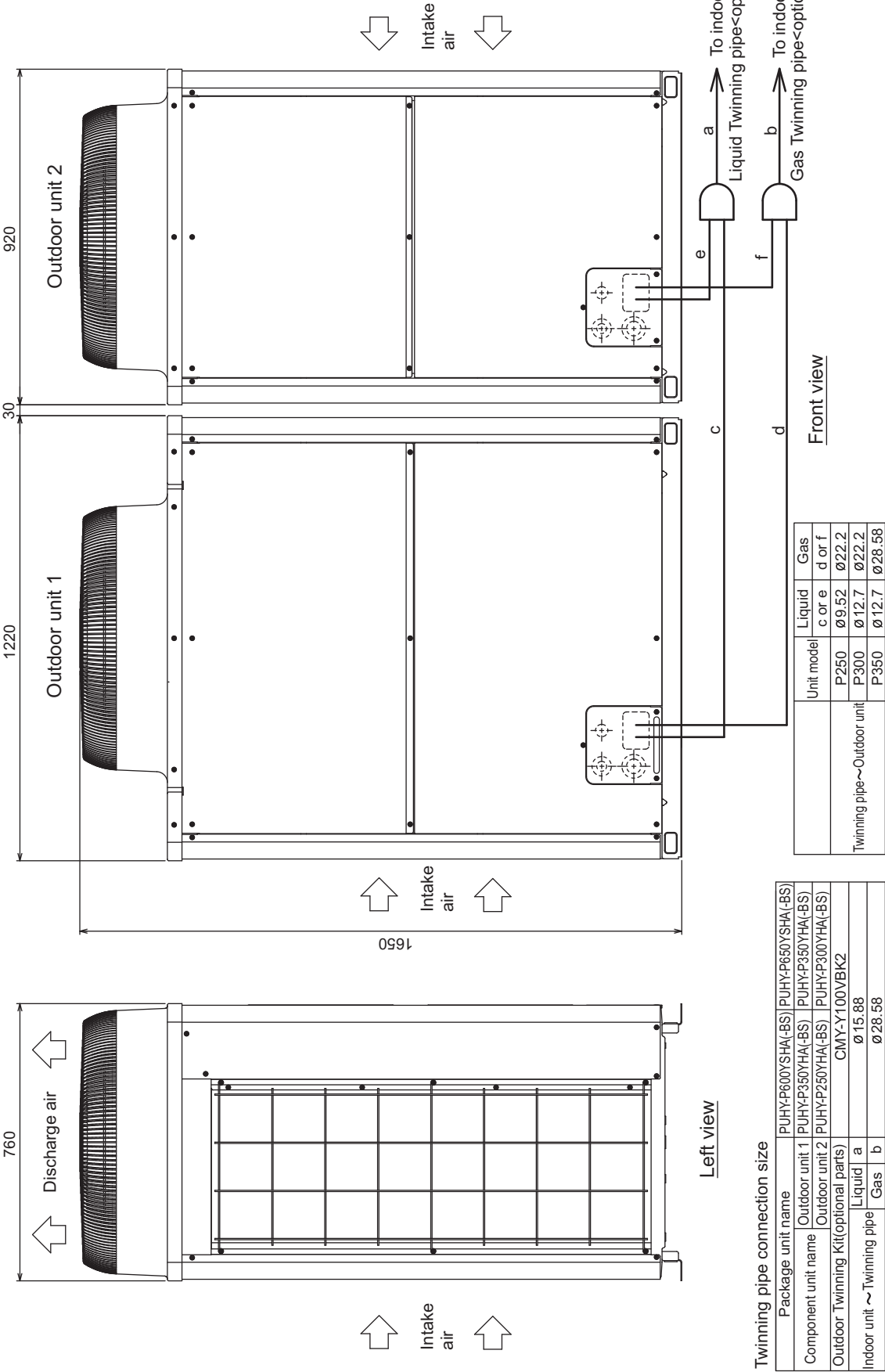
● In case of collective installation

- ① When multiple units are installed adjacent to each other, secure enough space to allow for air circulation and walkway between groups of units as shown in the figures below.
- ② At least two sides must be left open.
- ③ As with the single installation, add the height that exceeds the height limit<h> to the figures that are marked with an asterisk.
- ④ If there is a wall at both the front and the rear of the unit, install up to six units consecutively in the side direction and provide a space of 1000mm or more as inlet space/ passage space for each six units.



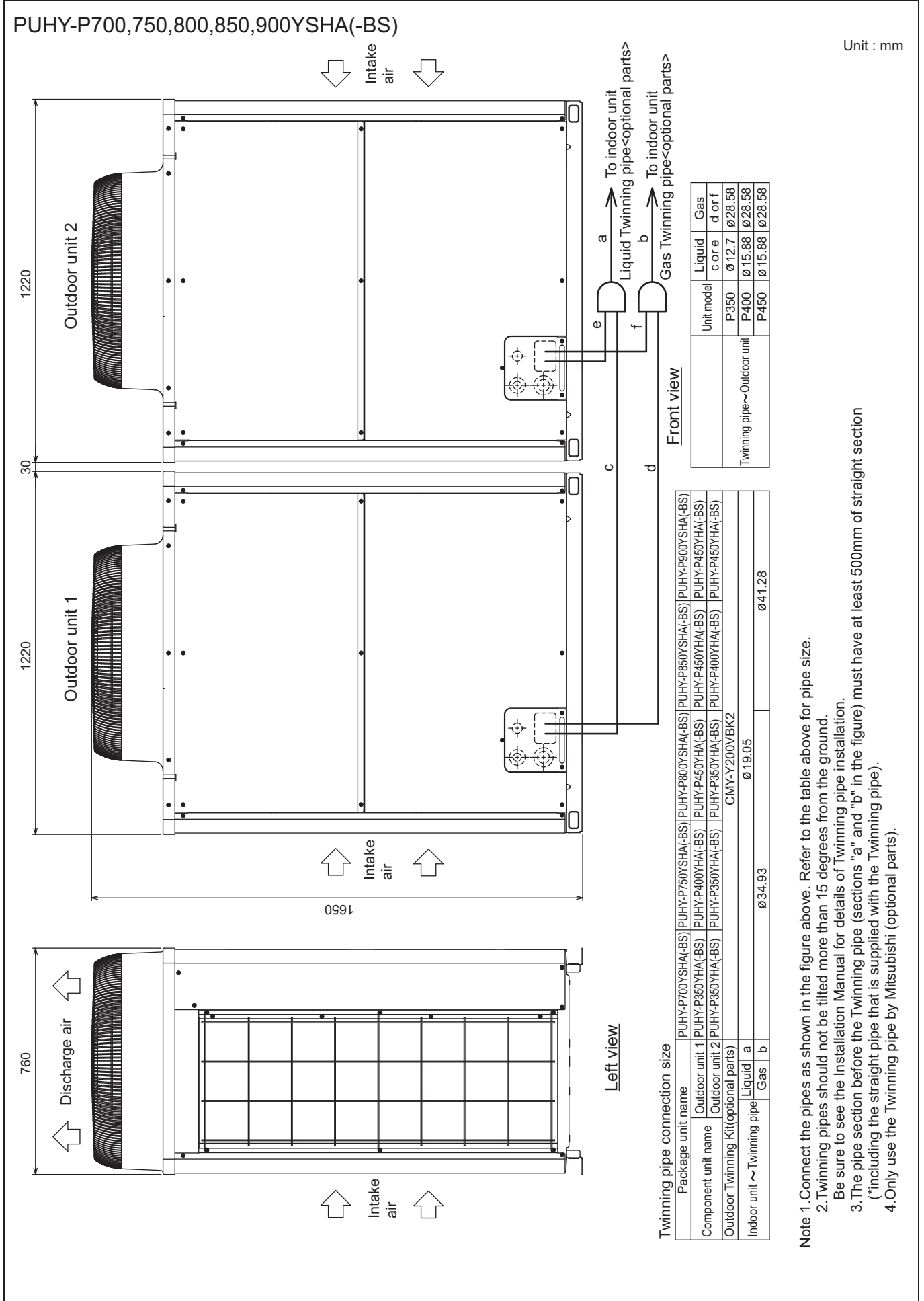


PUHY-P600,650YSHA(-BS)

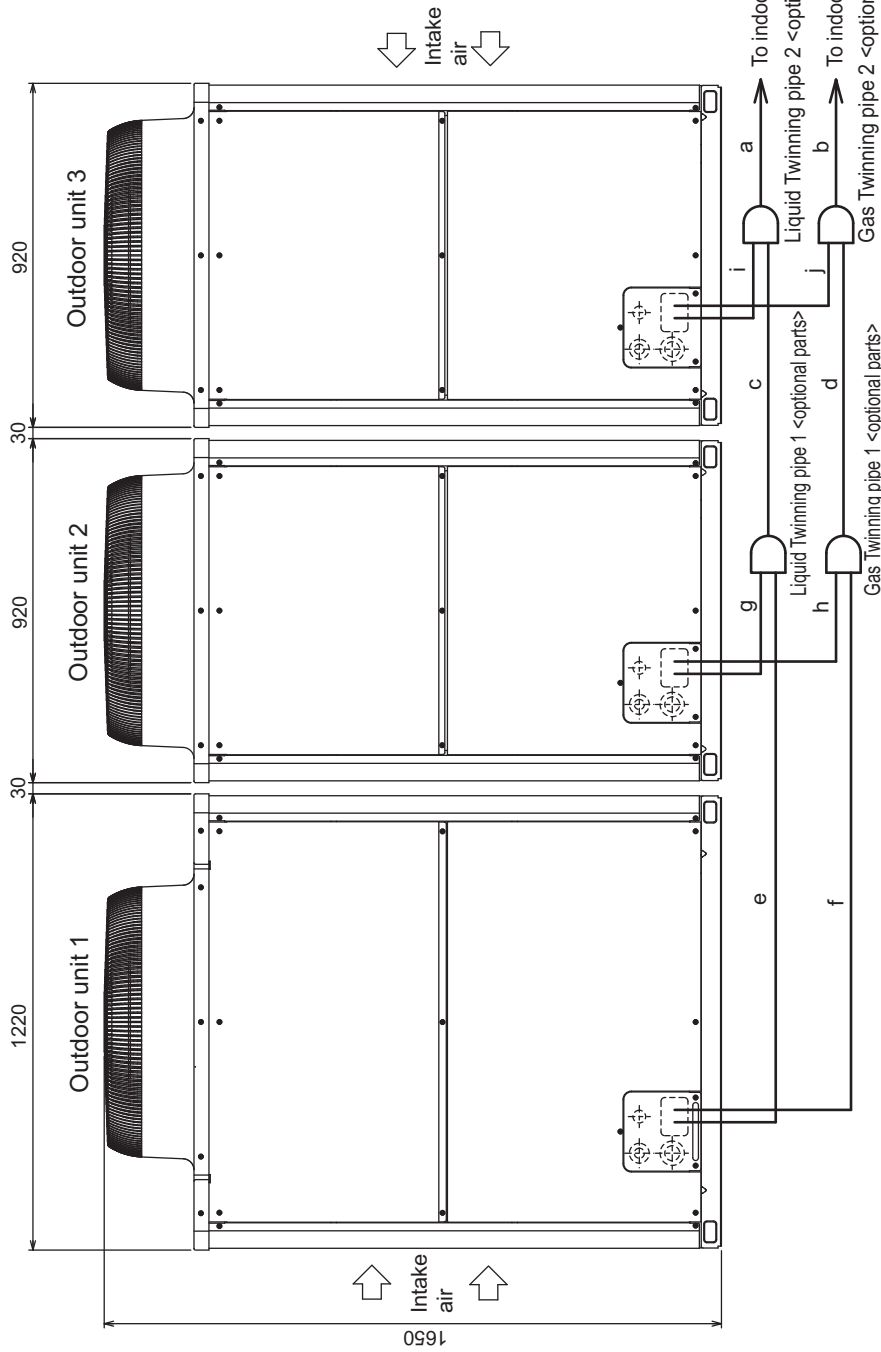


Unit : mm

- Note 1 Connect the pipes as shown in the figure above. Refer to the table above for pipe size.
 2. Twinning pipes should not be tilted more than 15 degrees from the ground.
 Be sure to see the Installation Manual for details of Twinning pipe installation.
 3. The pipe section before the Twinning pipe (sections "a" and "b" in the figure) must have at least 500mm of straight section
 (*including the straight pipe that is supplied with the Twinning pipe).
 4. Only use the Twinning pipe by Mitsubishi (optional parts).



PUHY-P950,1000YSHA(-BS)



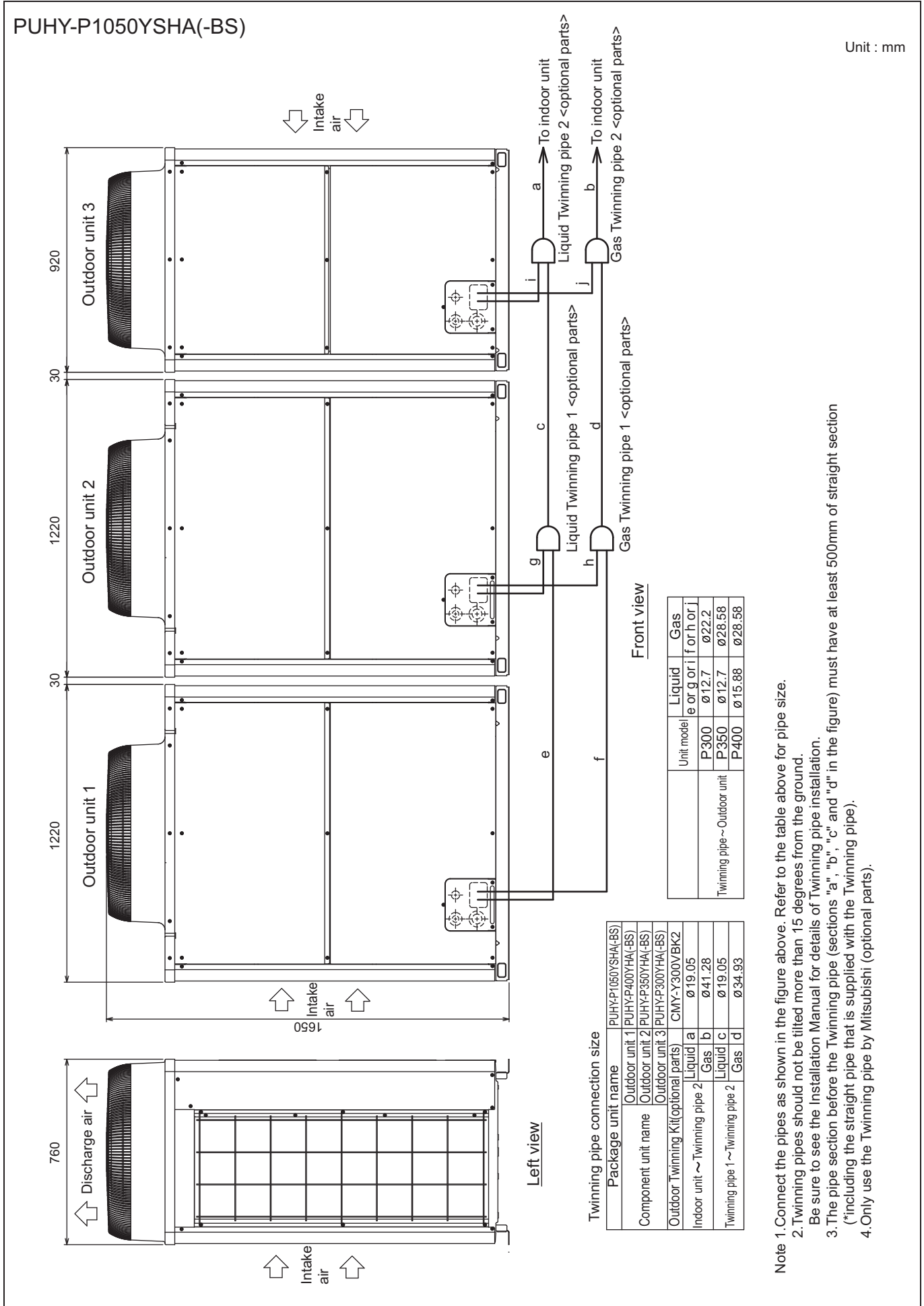
Front view

Twinning pipe connection size		Unit model	Liquid e or g or i	Gas f or h or j
Package unit name	PUHY-P950YSHA(-BS) PUHY-P1000YSHA(-BS)	P250	Ø9.52	Ø22.2
Component unit name	Outdoor unit 1 PUHY-P400YHA(-BS) PUHY-P400YHA(-BS)	P300	Ø12.7	Ø22.2
Outdoor Twinning Kit(optional parts)	CMY-Y300VBK2	P400	Ø15.88	Ø28.58
Indoor unit ~ Twinning pipe 2	Liquid a			
	Gas b			
Twinning pipe 1 ~ Twinning pipe 2	Liquid c			
	Gas d			

Left view

Unit : mm

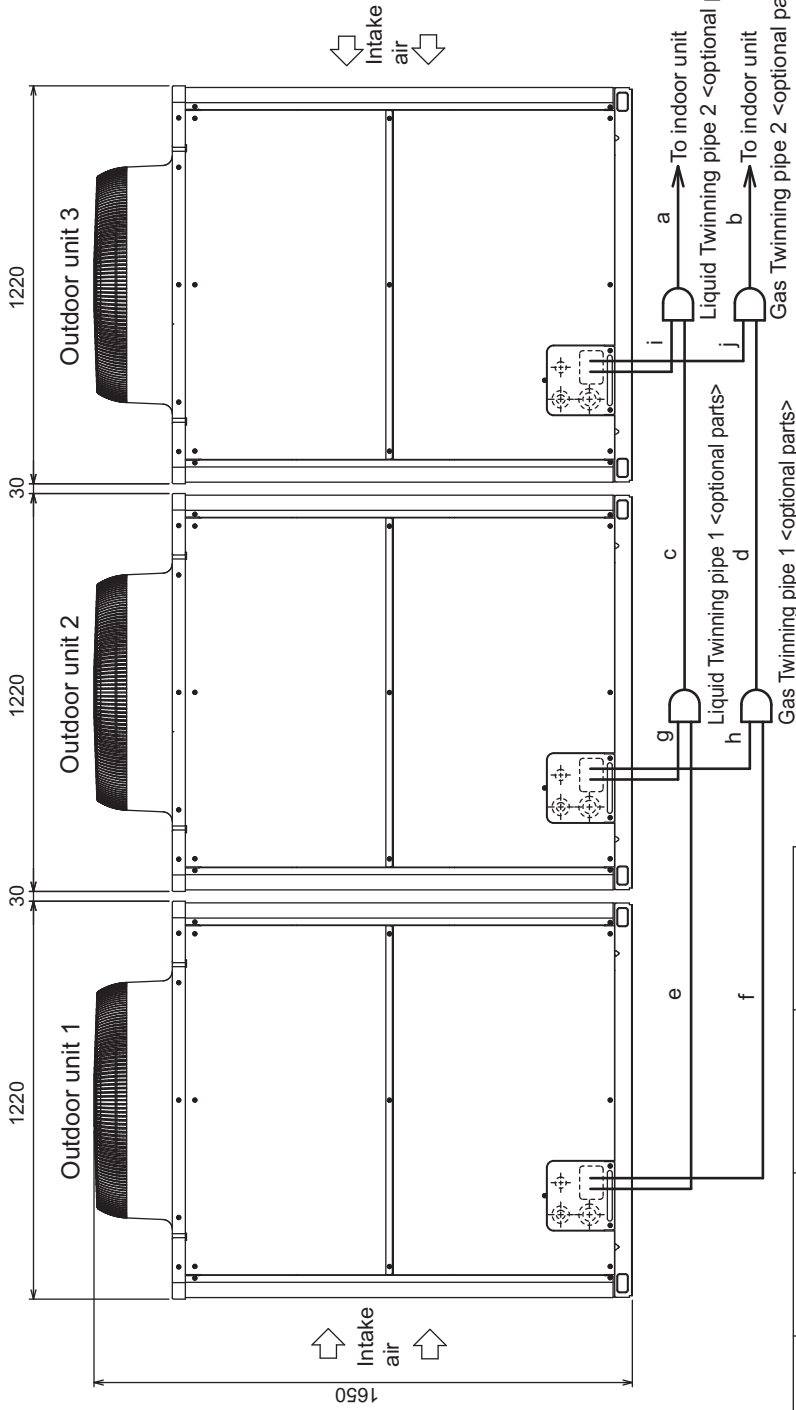
- Note 1. Connect the pipes as shown in the figure above. Refer to the table above for pipe size.
 2. Twinning pipes should not be tilted more than 15 degrees from the ground.
 Be sure to see the Installation Manual for details of Twinning pipe installation.
 3. The pipe section before the Twinning pipe (sections "a", "b", "c" and "d" in the figure) must have at least 500mm of straight section (*including the straight pipe that is supplied with the Twinning pipe).
 4. Only use the Twinning pipe by Mitsubishi (optional parts).



- Note 1. Connect the pipes as shown in the figure above. Refer to the table above for pipe size.
2. Twinning pipes should not be tilted more than 15 degrees from the ground. Be sure to see the Installation Manual for details of Twinning pipe installation.
3. The pipe section before the Twinning pipe (sections "a", "b", "c" and "d" in the figure) must have at least 500mm of straight section (*including the straight pipe that is supplied with the Twinning pipe).
4. Only use the Twinning pipe by Mitsubishi (optional parts).

PUHY-P1100,1150,1200,1250YSHA(-BS)

Unit : mm



Left view

Front view

Twinning pipe connection size

Package unit name	PUHY-P1100YSHA(-BS)	PUHY-P1150YSHA(-BS)	PUHY-P1200YSHA(-BS)	PUHY-P1250YSHA(-BS)
Outdoor unit 1	PUHY-P400YHA(-BS)	PUHY-P450YHA(-BS)	PUHY-P450YHA(-BS)	PUHY-P450YHA(-BS)
Outdoor unit 2	PUHY-P350YHA(-BS)	PUHY-P350YHA(-BS)	PUHY-P400YHA(-BS)	PUHY-P450YHA(-BS)
Outdoor unit 3	PUHY-P350YHA(-BS)	PUHY-P350YHA(-BS)	PUHY-P350YHA(-BS)	PUHY-P350YHA(-BS)
Outdoor Twinning Kit(optional parts)	CMY-Y300VBK2			
Indoor unit ~ Twinning pipe 2	Liquid a	ø19.05		
	Gas b	ø41.28		
Twinning pipe 1 ~ Twinning pipe 2	Liquid c	ø19.05		
	Gas d	ø34.93		

Unit model	Liquid		Gas	
	e or g	or i	f or h	j
P350	ø12.7		ø28.58	
P400	ø15.88		ø28.58	
P450	ø15.88		ø28.58	

Twinning pipe ~ Outdoor unit

- Note 1. Connect the pipes as shown in the figure above. Refer to the table above for pipe size.
 2. Twinning pipes should not be filled more than 15 degrees from the ground.
 Be sure to see the Installation Manual for details of Twinning pipe installation.
 3. The pipe section before the Twinning pipe (sections "a", "b", "c" and "d" in the figure) must have at least 500mm of straight section (*including the straight pipe that is supplied with the Twinning pipe).
 4. Only use the Twinning pipe by Mitsubishi (optional parts).